



VĨNH HƯNG®



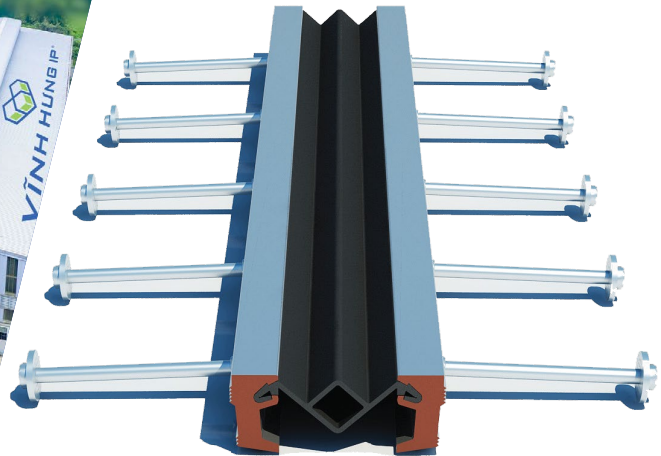
Vietnam Value

Proud to be

VIETNAM'S NATIONAL BRAND

VINH HUNG TRADING, CONSULTING
AND CONSTRUCTION JOIN STOCK COMPANY

VHAL ALUMINUM-ALLOY RAIL EXPANSION JOINT



CERTIFIED
ISO 9001



0008

VHAL ALUMINUM-ALLOY RAIL EXPANSION JOINT

CERTIFIED
ISO 9001

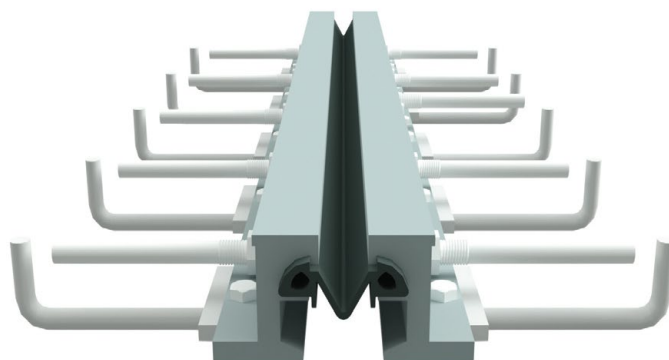
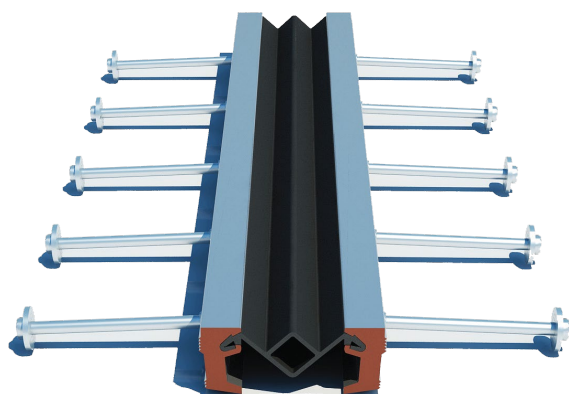


1. PRODUCT OVERVIEW

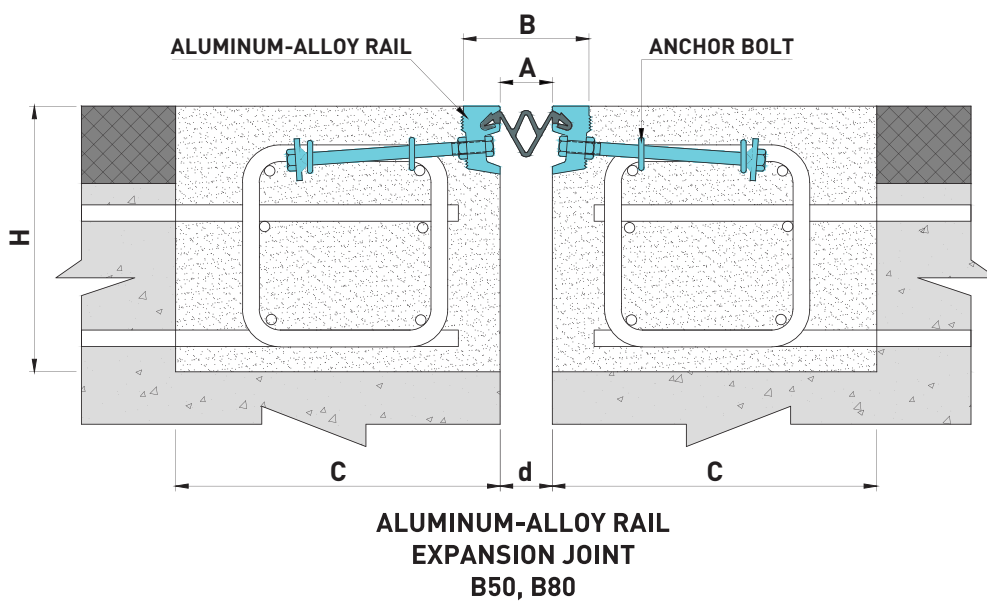
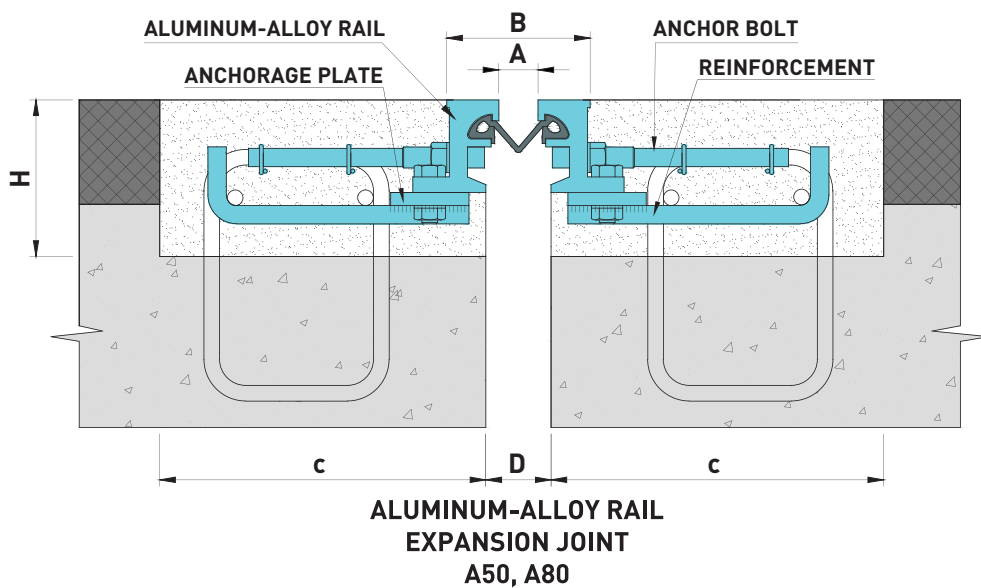
VHAL aluminum-alloy rail expansion joint made by Vinh Hung Investment and Production Company Limited (Vinh Hung IP) comprises of two aluminum-alloy carrier rails with anchor bars connected to the embedded bars in the pier cap or head-wall of abutment, elastomeric strip serves as the drainage trough and prevent dusts and debris, nosing material: non-shrink mortar or non-shrinkage concrete with minimum compressive strength of 40Mpa.

2. PRODUCT CHARACTERISTICS

- Totally accommodate to longitudinal movement up to 80mm, and also vertical and transverse movement if appear.
- Simple in design and installation, high load bearing and durability.
- Stability structure thanks to anchor rods connected by high-strength bolts.
- Perfect anti-corrosion and anti-abrasion thanks to the properties of aluminum alloy.
- Totally water-tight.
- Options for rubber seal: Client may select conventional seal or hump seal for preventing dusts and debris clogged.
- Smooth surface with professional hanger system installation method



3. TECHNICAL PARAMETERS



MODEL	DISPLACEMENT (mm)	A (mm)		B (mm)		C (mm)	D (mm)		H min (mm)
		min	max	min	max		min	max	
VHAL - A50	50	5	55	85	135	250	25	75	120
VHAL - B50	50	15	65	85	135	250	15	65	80
VHAL - A80	80	5	85	85	165	250	25	105	120
VHAL - B80	80	10	90	80	160	250	10	90	80

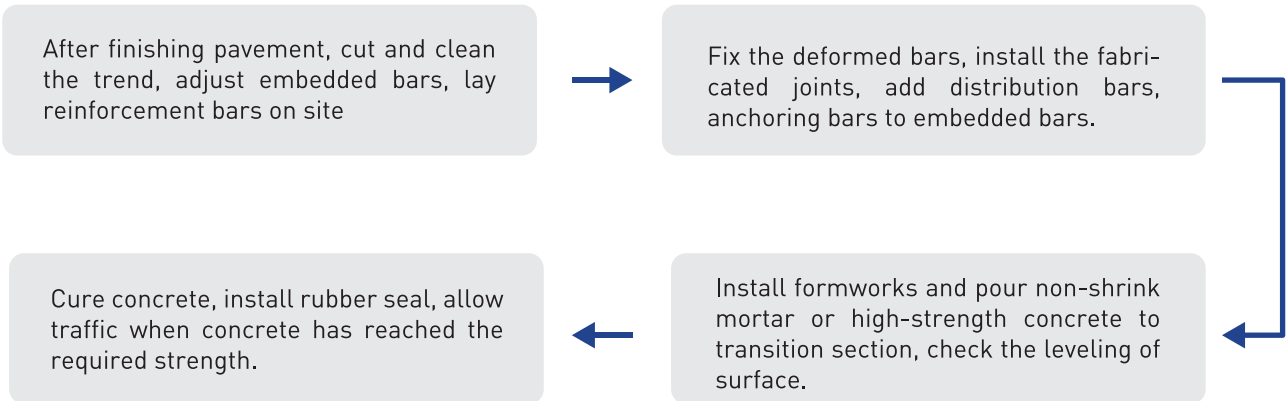
4. MATERIALS PARAMETERS

A. PROPERTIES OF METAL ELEMENTS					
NO.	ITEMS	UNIT	REQUIREMENTS	STANDARD	
1	Aluminum-alloy rail	Tensile strength, min	Mpa	140	JIS H4100
		Yield strength, min	Mpa	100	
		Elongation, min	%	8	
2	Anchorage plate	Tensile strength, min	Mpa	400 - 510	JIS G3101
		Yield strength, min	Mpa	245	
		Elongation, min	%	17	
3	Anchor Bolt	Tensile strength, min	Mpa	830	ASTM A325
		Yield strength, min	Mpa	660	
		Elongation, min	%	14	
4	Reinforcement	Tensile strength, min	Mpa	450	TCVN 1651 - 2: 2008
		Yield strength, min	Mpa	300	
		Elongation, min	%	19	

B. PROPERTIES OF RUBBER SEAL				
NO.	ITEMS	UNIT	REQUIREMENTS	STANDARD
1	Hardness	Point	65 ± 5	ASTM D2240
2	Tensile strength, min	Mpa	7	ASTM D412
3	Ozone resistance (content of ozone in the air 100pphm, 20% deformed at 40°C x 70h)		No crack	ASTM D1149
4	Elongation at break, min	%	250	ASTM D412
5	Hot air aging test in 70 hours at 100°C			
	Tensile strength change, max	%	-20	ASTM D573
	Elongation change, max	%	-40	
	Hardness change	Point	0-15	

5. INSTALLATION

Installation is critical to ensure the lifespan of the expansion joint and smooth traffic. Careful preparation of machinery, equipment, and highly specialized human resource is required for the installation of high quality expansion joints. The installation method shall be strictly followed to guarantee the actual performance of the product in service.



Production of the VHAL Aluminum-Alloy Rail Expansion Joint at Vinh Hung Factory

**VINH HUNG TRADING, CONSULTING
AND CONSTRUCTION JOIN STOCK COMPANY**

HEAD OFFICE

Address: Lot BT2, No. 49, Bac Linh Dam Area,
Dinh Cong Ward, Hanoi City, Vietnam
Tel: +84 24 3540 1771 / +84 24 3540 2468

HO CHI MINH CITY BRANCH

Address: No. 12/18 Dao Duy Anh Street,
Duc Nhuan Ward, Ho Chi Minh City, Vietnam
Tel: +84 28 3526 4188

DA NANG REPRESENTATIVE OFFICE

Address: Room 303, Building No. 309 Nguyen Huu Tho Street,
Hoa Cuong Ward, Da Nang City, Vietnam
Tel: +84 236 367 3366

VINH HUNG INVESTMENT AND PRODUCTION COMPANY LIMITED

Address: Pho Noi Textile Industrial Park,
Duong Hao Ward, Hung Yen Province, Vietnam
Tel: +84 221 399 1399 / +84 221 399 1398

Website: vinhhungjsc.com
Email: info@vinhhungjsc.com

